

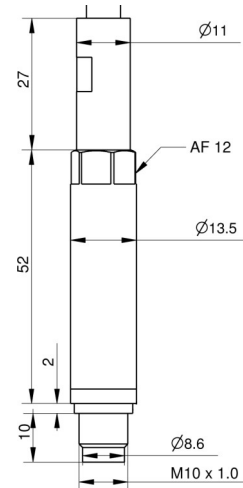
## Two-stroke combustion sensor TCS-01CA®-PMI

*for application on PMI-auto-tuning-system*

Two-stroke combustion sensor for continuous measurement of cylinder pressure on two-stroke diesel engines (24h per day / 365 days per year).

### Characteristics

- Sensor designed for 2-stroke application
- Digital electronic with event storing
- Very good thermodynamic performance
- Marine classification
- Pin compatible to PMI-system



### Application:

Permanent installation on two-stroke marine diesel engines for cylinder balancing and performance evaluation.

### Technical data

Measuring range pressure	0...250 bar
Over pressure static	400 bar
Frequency range	10 kHz
Thermal shock 1500 RPM pmi=9bar	< +/- 0,5 bar
Accuracy	≤1% Full scale
Temperature range of SCU	-40 °C ... + 75 °C
Supply voltage	18...32 VDC
SCU current consumption	≤50 mA (continuous operation); 250 mA (switch-on peak)
Output signal range	4...20 mA
Calibrated range	4...19.35 mA or 5...19 mA
Sensitivity	61,4 µA / bar or 56 µA / bar
Electrical connector	Harting Han ES 10B (male) with housing Harting Han 24B (male)
Thread	M10 x 1
Dimension sensor	36.5 mm , Ø 13.5 mm
Tightening torque	15 Nm
Weight incl. electronic	1200 g

## General specifications

Degree of protection	IP 67 (EN 60529)
CE approval	2004/1008/EG EN 61000-6-2 EN 61000-6-4 EN 61326-1
Marine qualification	
Bureau Veritas	22266/B1 BV

The robust type TCS-01CA®-PMI sensor for continuous measurement of cylinder pressures on two stroke diesel engines offers outstanding longevity and constant sensitivity.

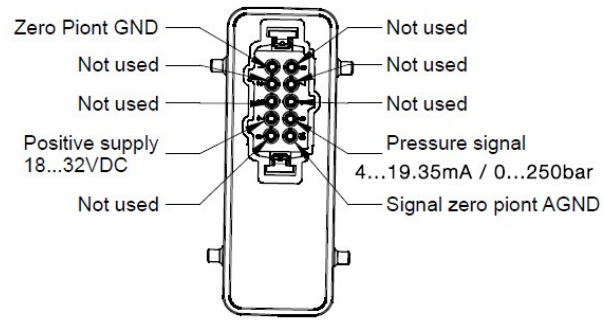
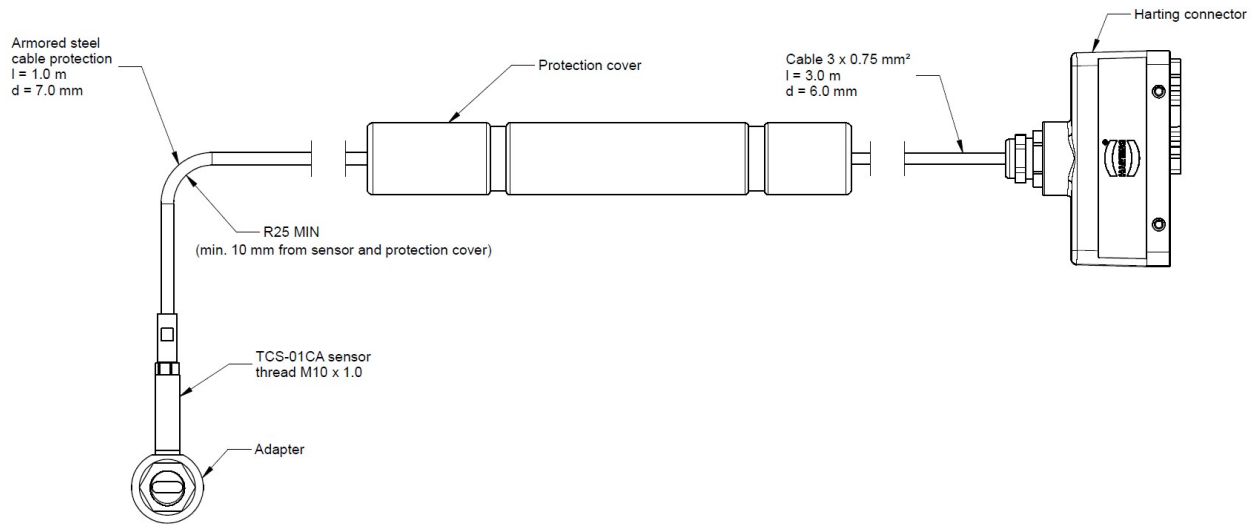
Cylinder pressure measurements can be made with high precision because of its very good thermodynamic characteristics.

## Mounting

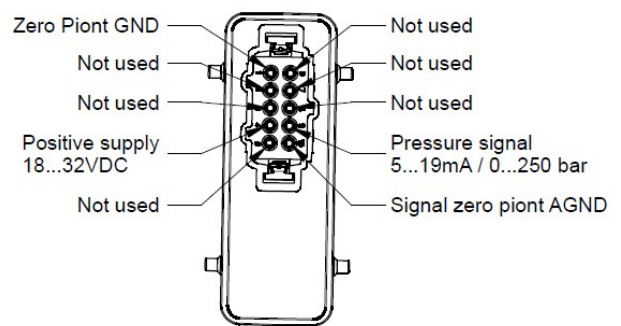
For application on 2- stroke engines the sensor should be installed in a special adapter between cylinder cover and indicator cock.

The indicator valve should be opened regularly to blow out the combustion residuals.





Harting connector for IW-9101



Harting connector for IW-9100

Product No.	Pressure range	Calibrated range	Total cable length	Static overpressure
IW-9100	0 - 250 bar	5 - 19 mA	4.0 m	400 bar
IW-9101*	0 - 250 bar	4 - 19,35 mA	4.0 m	400 bar

\* Adaptor not in scope of supply

Scope of supply

- TCS-01CA®-PMI sensor  
incl. 4 m cable, protection cover, Harting connector and adaptor

Product No.

IW-9100

- TCS-01CA®-PMI sensor  
incl. 4 m cable, protection cover and Harting connector

IW-9101