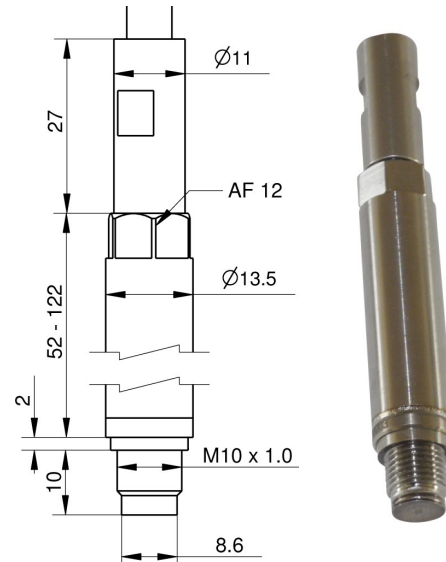


Front membrane pressure sensor FPS-01

for pressure control on engines

- Sensor desinged for diesel- and gas engines
- Digital electronic with event storing
- Very good thermodynamic performance



Application:

Permanent installation for engine control

The closed face makes the sensor immune to sooting.

Technical Data

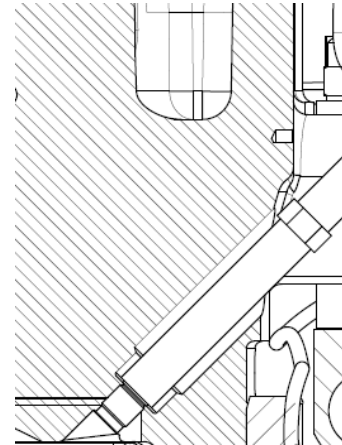
Measuring range pressure	0...300 bar
Over pressure static	400 bar
Frequency range	10 kHz
Thermal shock 1500 RPM pmi=9bar	< +/- 0,5 bar
Accuracy	≤ 1% Full scale
Temperature range of SCU	-40 °C ... + 75 °C
Supply voltage	18...32 VDC, on request 5 VDC
SCU current consumption	≤ 50 mA (continuous operation); 250 mA (switch-on peak)
Output signal range	4...20 mA, on request 0,5...4,5 V
Electrical connector	M12
Thread	M10 x 1
Dimension sensor	52—122 mm , Ø 13,5 mm
Dimension electronic	122 mm x , Ø 18 mm
Tightening torque	15 Nm
Weight incl. electronic	240 g

Mounting

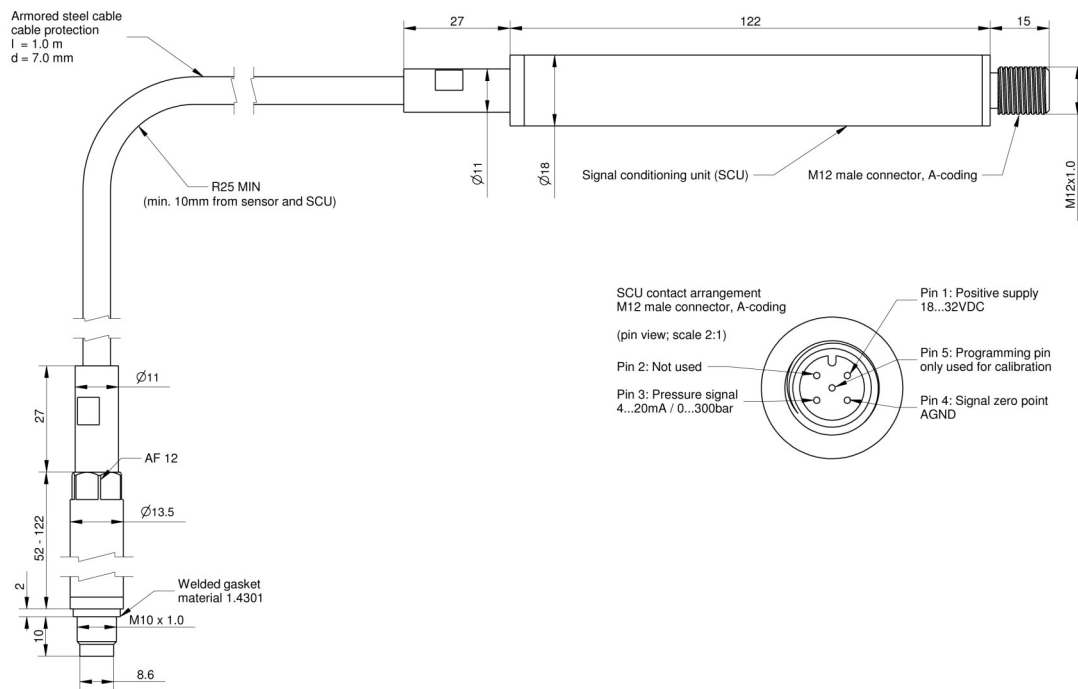
The sensor should be installed close to the combustion chamber, the length of the pressure bore between sensor and combustion chamber depends mainly on engine speed.

Generally there are two possibilities for the installation position of cylinder pressure sensors:

Head mounted or set-back mounted.



Head mounted installation



Scope of supply

FPS-01 length housing sleeve 52 mm
 FPS-01 length housing sleeve 122 mm
 Protection cover
 Connecting cable 5 m
 Connecting cable 10 m

Part no.

IW-6280
 IW-6281
 IW-6211
 IW-4110
 IW-4111