

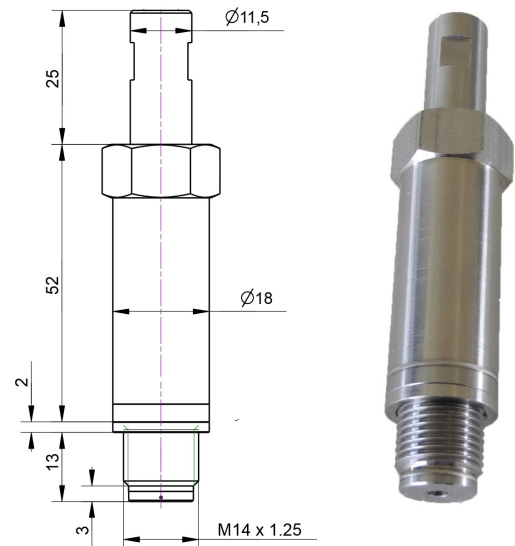
Cylinder Pressure Sensor HTT-06

for On-line Combustion control

Cylinder pressure sensor for on-line combustion control on diesel- and gas engines for increasing engine performance and optimised engine control.

Characteristics

- Extreme robust against high dp/dt
- Designed life expectancy of 16,000 h
- Digital electronic with event storing
- Very good thermodynamic performance
- Protection class IP69



Application:

Closed loop control on internal combustion engines e.g. knock detection, cylinder balancing, MIP calculation, start of combustion, NOx control

Technical data

Measuring range pressure	0...300 bar
Over pressure static	800 bar or 1200 bar
Frequency range	10 kHz
Thermal shock 1500 RPM pmi=10bar	< +/- 0,5 bar
Accuracy	≤1% Full scale
Max. temperature at measuring cell	300 °C (short time 1 min 350°C)
Temperature range of SCU	-40 °C ... + 75 °C
Supply voltage	18...32 VDC
SCU current consumption	≤50 mA (continuous operation); 250 mA (switch-on peak)
Output signal	4...20 mA
Electrical connector	Plug DIN M12
Thread	M14 x 1,25
Dimension sensor	52 mm , Ø 18 mm
Dimension electronic	115 mm x 18 mm
Tightening torque	25 Nm
Weight incl. electronic	325 g

General specifications

Degree of protection	IP 69 (EN 60529)
CE approval	2004/1008/EG EN 61000-6-2 EN 61000-6-4 EN 61326-1
Marine type approval	In preparation

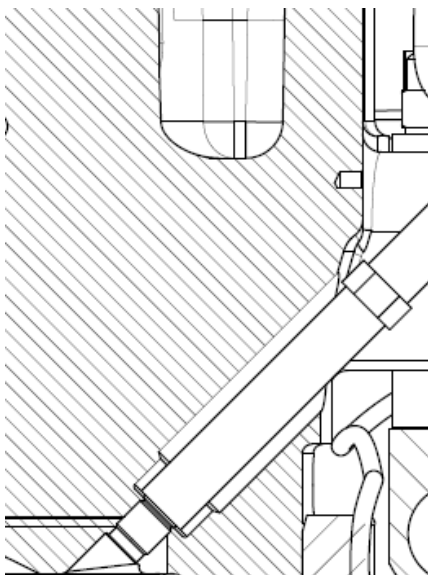
Optimum sensor life is achieved at an average temperature at the measuring element of 200 - 250 °C.

The life expectancy of the sensor has been designed so that the lifetime of 16.000 h or more can be achieved in a gas engine. at 1500 rpm.

Mounting

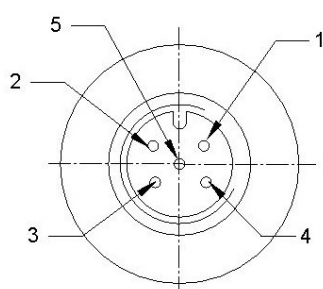
The sensor should be installed close to the combustion chamber, the length of the pressure bore between sensor and combustion chamber depends mainly on engine speed.

Generally there are two possibilities for the installation position of cylinder pressure sensors:



Head mounted installation near to combustion chamber

Connector



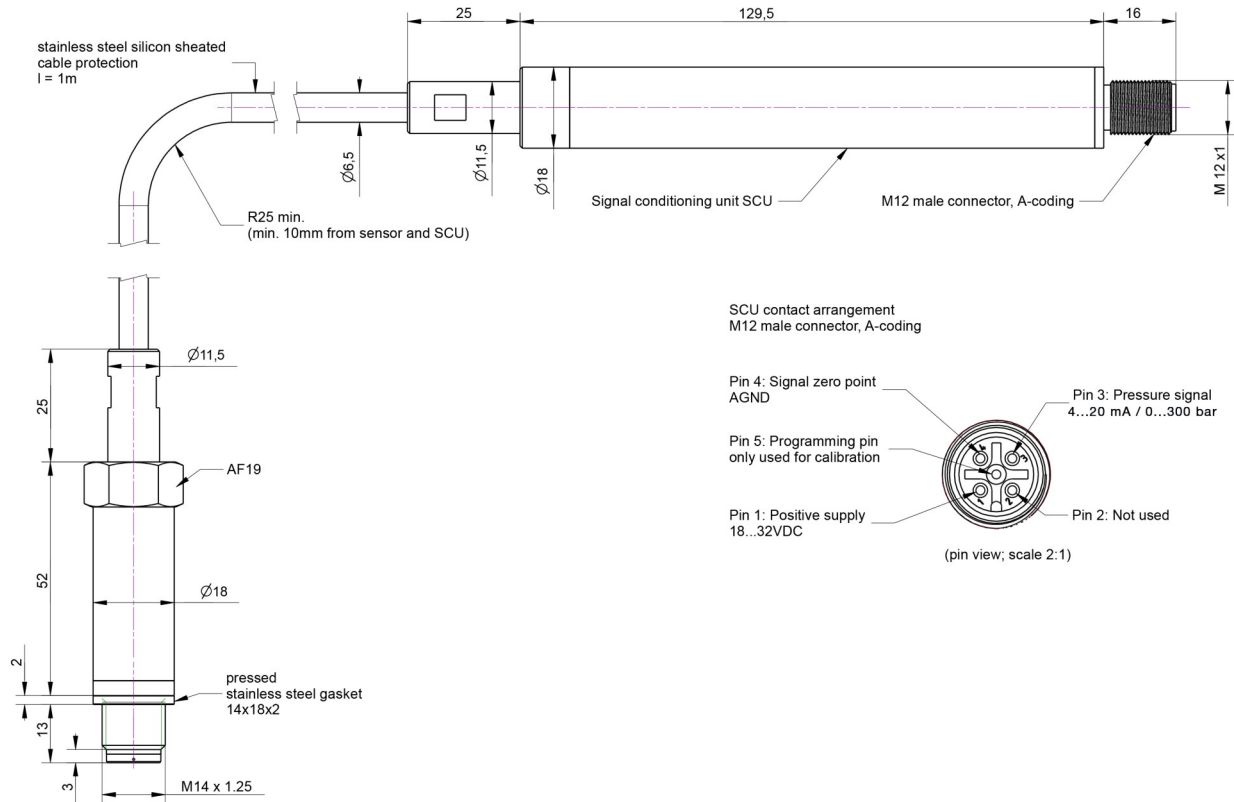
1 = power supply 18...32V

3 = pressure signal output 4...20 mA

4 = signal zero point AGND

5 = programming pin (only used for calibration)

2 = not connected



Product No.	Pressure range	Sensor length	Cable length	Static overpressure
IW-6408	0 - 300 bar	52 mm	1,0 m	800 bar
IW-6409	0 - 300 bar	52 mm	1,0 m	1200 bar

Optional Accessories

Protection cover

Sensor mounting tool

Sensor connecting cable incl. M12 connector 5 m

Sensor connecting cable incl. M12 connector 10 m

Product No.

IW-6210

IW-4092

IW-4110

IW-4111